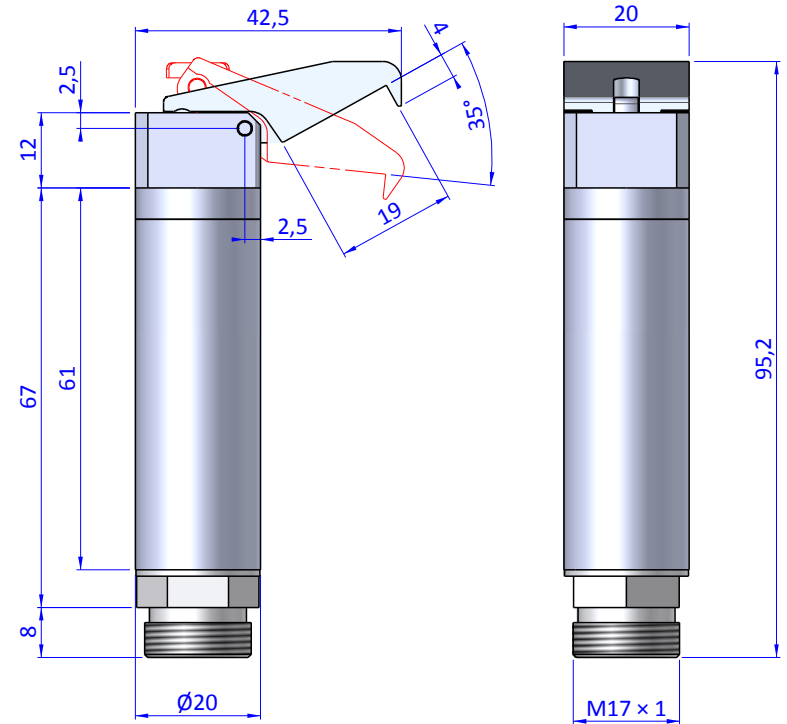
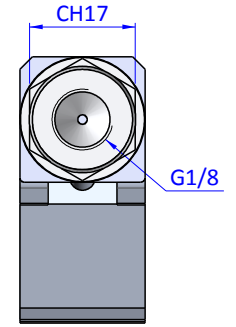
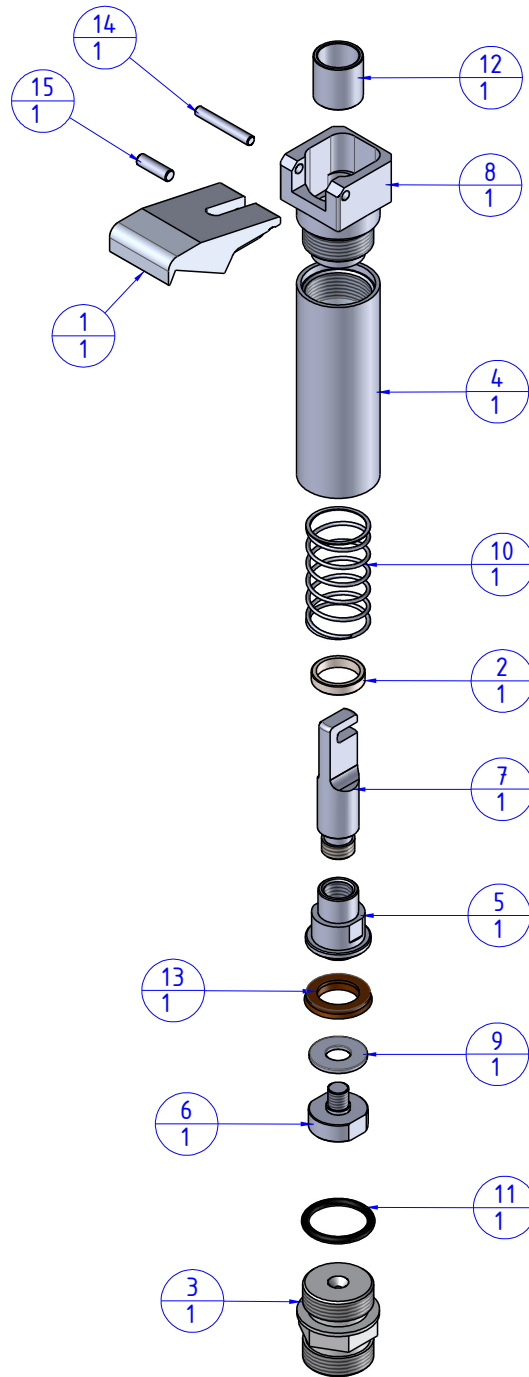



THE PROPERTY OF THE DRAWING IS ESTABLISHED BY LAW. IT IS FORBIDDEN TO PRODUCE OR SHOW IT TO THIRD PARTY WITHOUT A WRITTEN AGREEMENT.

| Item | Name | Q. ty |
|------|----------------|-------|
| 1 | GRF20.35.WE.07 | 1 |
| 2 | GRF20.35.WE.08 | 1 |
| 3 | GRF20.95.01 | 1 |
| 4 | GRF20.95.02 | 1 |
| 5 | GRF20.95.03 | 1 |
| 6 | GRF20.95.03.2 | 1 |
| 7 | GRF20.95.04 | 1 |
| 8 | GRF20.95.05 | 1 |
| 9 | GRF20.95.10 | 1 |
| 10 | M.GRF.2095.1 | 1 |
| 11 | OR.2056 | 1 |
| 12 | PAP.101212 | 1 |
| 13 | PSP.1610255 | 1 |
| 14 | SP.2,5x18M6 | 1 |
| 15 | SP.3x10M6 | 1 |



Format A3
UNI 936-76

| | | | | |
|--|--|----------------|---------|----------------|
|  FPS FPSERVICES AUTOMATION | | DESIGNED FROM | | REVIEW |
| | | FPS Automation | | A |
| GENERAL TOLERANCE | | DATE | WEIGHT | |
| UNI - ISO 2768 | | 23/07/2019 | 0,080kg | |
| CLASSE f | | CODE | | |
| | | CA.GRF.2035.WE | | CA.GRF.2035.WE |